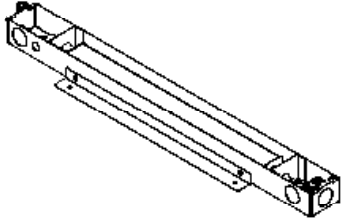



PARTS/TOOLS NEEDED:		
		
Power Supply Box	Mounting Hardware	Electric Drill

IMPORTANT SAFETY INSTRUCTIONS - SAVE THESE INSTRUCTIONS

Read all instructions before using this power supply box.

POWER SUPPLY BOXES SHOULD ONLY BE INSTALLED USING THE FOLLOWING INSTRUCTIONS. FAILURE TO FOLLOW THESE INSTRUCTIONS WILL VOID THE WARRANTY.

DANGER - To reduce the risk of electric shock; Always unplug this power supply box from the mirror before cleaning.

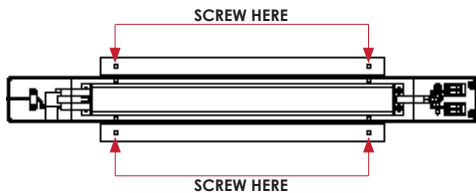
WARNING - To reduce the risk of burns, fire, electric shock, or injury to persons:

- Use this power supply box only for its intended use as described in these instructions. Do not use attachments not recommended by elio (ITC Inc).
- Never operate if it has a damaged cord or plug, if it is not working properly, if it has been dropped or damaged, or dropped into water. Contact elio for a replacement part.
- Keep the cord away from heated surfaces.
- Never drop or insert any object into any opening.
- Do not use outdoors.
- **WARNING:** Risk of electric shock. See grounding instructions.

***All power supply boxes must be installed in contractor supplied blocking or attached to the L-bracket on the back of the elio backlit mirror. Barrel connector extensions available. Choose mounting method before install.**

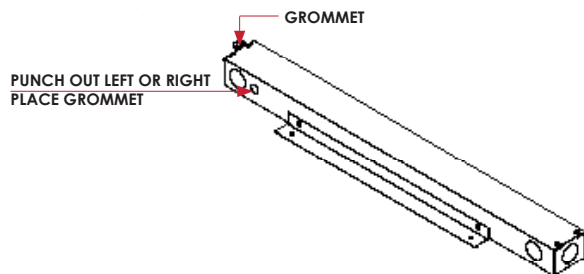
1. Mounting To Contractor Supplied Blocking

Determine installation location. Then screw the power supply box to the contractor supplied blocking.



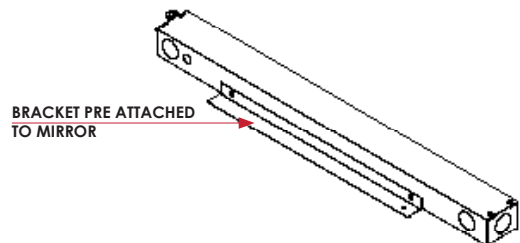
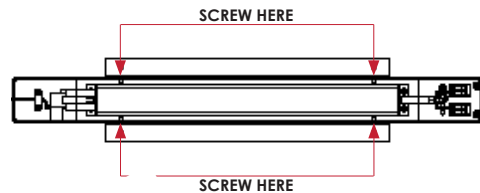
2. Barrel Connector Instructions

Punch out left or right hole and place supplied grommet in place. Feed through barrel connector. *Barrel connector will come inside power supply box.



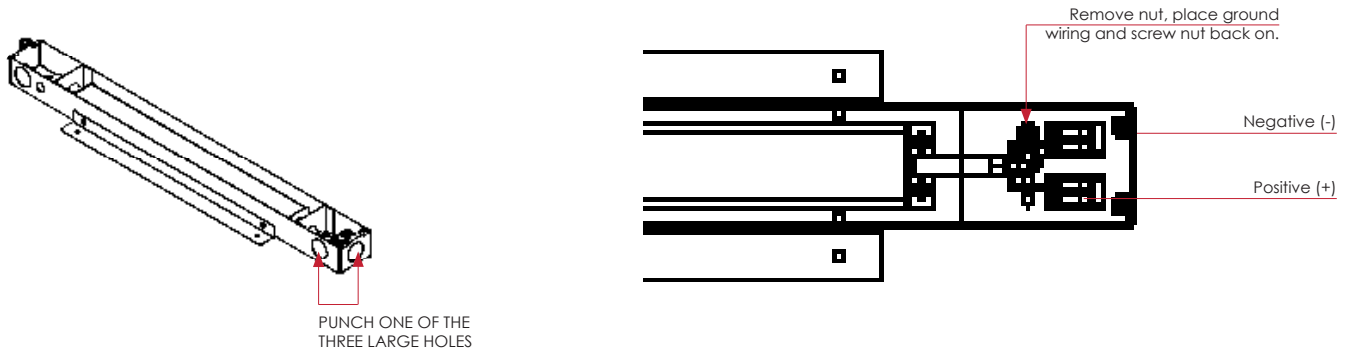
3. Mounting To Back of Elio Mirror

Remove the brackets from the power supply box and use the pre-installed brackets on the back of the elio backlit mirror, screw in the power supply using the provided screws.



4. Wiring & Grounding Instructions

Punch out one of the three holes on the power supply box and bring in incoming AC power wires to the box. **Make all connections inside the power supply box** following the wiring diagram below.



OPTIONAL: Dimming Wiring Instructions

Punch out one of the three holes on the power supply box and bring in incoming dimming wires to the box. **Make all connections inside the power supply box** following the wiring diagram below.



TROUBLESHOOTING *(when the power supply is used)*

The mirror doesn't light:

- A. Check the connection between the mirror and buildings wiring.
- B. Verify that there is power coming out of the power supply.
- C. Verify that there is 120V power coming out of the buildings junction box.
- D. Verify that the tape light has not been unplugged from the power supply.