

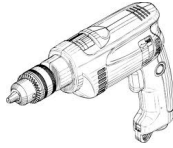

Compel Power Hub

(Part #'s: 810-00061)

PARTS NEEDED:

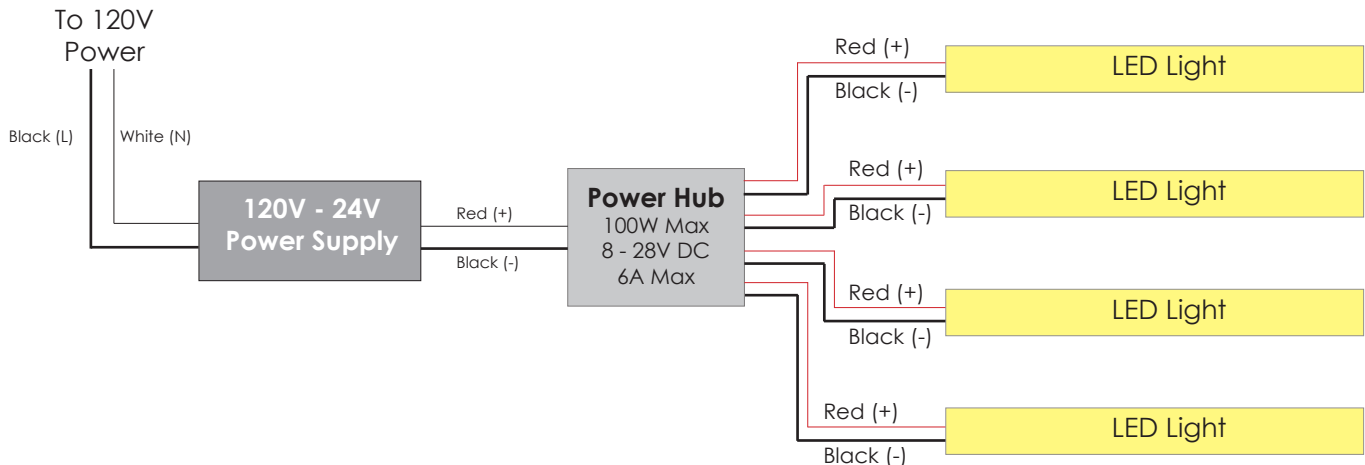
		
Power Hub	Compel Lights (purchased separately)	Power Supply (purchased separately)

TOOLS NEEDED:

	
Power Drill w/ Phillips Bit	Flat Head Screwdriver

- Determine the installation location and screw in the power hub using the provided screws. Next, wire the power hub to the power supply and lights using the wiring diagram below. Set the desired light level using the chart below.

Light Level	Dip Switch Configuration	1	2	3
20%	000	ON	ON	ON
30%	001	OFF	ON	ON
35%	010	ON	OFF	ON
40%	011	OFF	OFF	ON
50%	100	ON	ON	OFF
60%	101	OFF	ON	OFF
70%	110	ON	OFF	OFF
80%	111	OFF	OFF	OFF



For warranty information please visit www.itc-us.com

230 E. Lakewood Blvd. • P.O. Box 8338 • Holland • MI • 49422-8338

Phone: 616-396-1355 • Fax: 616-396-1152 • www.itc-us.com • sales@itc-us.com • Revision 2: 3/8/16