

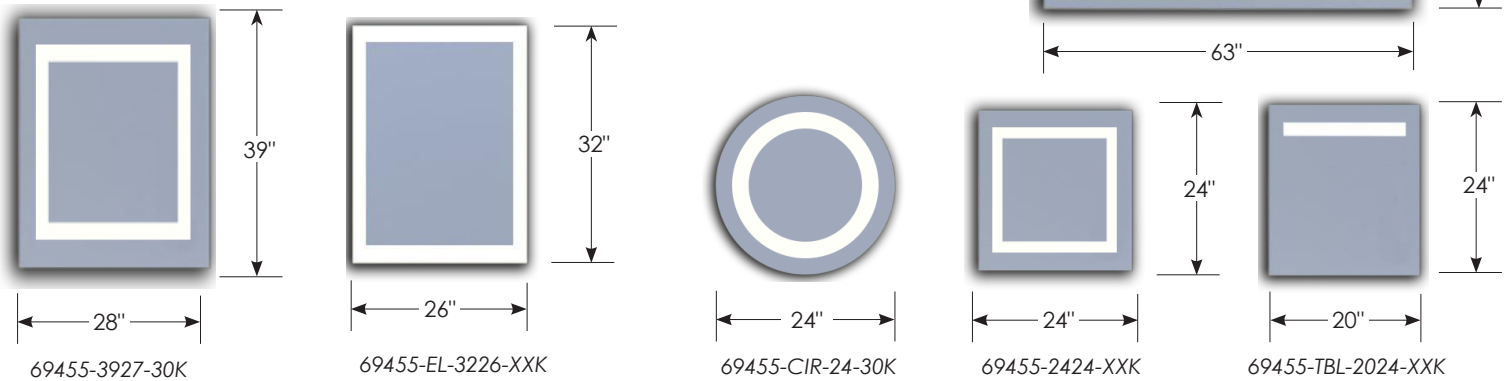
LOOK Mirrors

Integrated LED Backlit Mirror

Features

- 50,000 hours estimated life
- Improved illumination and reduced shadowing through the use of side lighting
- 0-10V Dimming power supply included
- Mirror and mounting panel is IP44 rated, light engine is IP66 rated for wet or damp applications
- Includes hardware required for mounting into contractor provided blocking

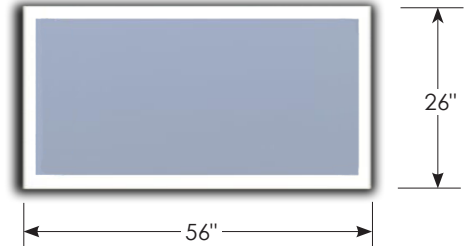
Product Details



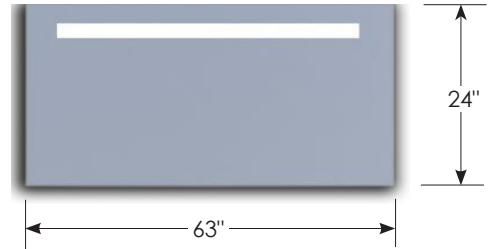
Part Number

69455-XXXX-YYY
Please see specifications for part configurations

69455-EL-5626-XXK



69455-TBL-6324-XXK



Technical Specifications

Mirror Type	69455-3927-30K	69455-CIR-24-30K	69455-2424-XXK	69455-TBL-2024-XXK**	69455-TBL-6324-XXK**	69455-EL-3226-XXK**	69455-EL-5626-XXK**
Dimensions	39" W x 27" H x 2" D	24" Diameter x 1.8" D	24" W x 24" H x 1.8" D	20" W x 24" H x 1.4" D	63" W x 24" H x 1.4" D	31.5" W x 25.6" H x 1.8" D	56" W x 25.6" H x 1.8" D
Housing	Powdercoated Steel	Powdercoated Steel	Powdercoated Steel	Powdercoated Steel	Powdercoated Steel	Powdercoated Steel	Powdercoated Steel
Lens	Glass	Glass	Glass	Glass	Glass	Glass	Glass
Wattage	34W @ 120V AC 35W @ 277V AC	21W @ 120V AC 22W @ 277V AC	25W @ 120V AC 26W @ 277V AC	16W @ 120V AC 17W @ 277V AC	45W @ 120V AC 46W @ 277V AC	37W @ 120V AC 38W @ 277V AC	50W @ 120V AC 52W @ 277V AC
Voltage	120 - 277V AC	120 - 277V AC	120 - 277V AC	120 - 277V AC	120 - 277V AC	120 - 277V AC	120 - 277V AC
Current	0.28A @ 120V AC 0.15A @ 277V AC	0.18A @ 120V AC 0.11A @ 277V AC	0.21A @ 120V AC 0.12A @ 277V AC	0.14A @ 120V AC 0.09A @ 277V AC	0.37A @ 120V AC 0.20A @ 277V AC	0.31A @ 120V AC 0.17A @ 277V AC	0.42A @ 120V AC 0.22A @ 277V AC
Lumens	2450 lm @ 120V AC 2450 lm @ 277V AC	1430 lm @ 120V AC 1430 lm @ 277V AC	1630 lm @ 120V AC 1630 lm @ 277V AC	1100 lm @ 120V AC 1100 lm @ 277V AC	3260 lm @ 120V AC 3260 lm @ 277V AC	2650 lm @ 120V AC 2650 lm @ 277V AC	3750 lm @ 120V AC 3750 lm @ 277V AC
Kelvin	3000K or 4000K**	3000K or 4000K**	3000K or 4000K	3000K or 4000K	3000K or 4000K	3000K or 4000K	3000K or 4000K
Beam Angle	120°	120°	120°	120°	120°	120°	120°
CRI	> 90	> 90	> 90	> 90	> 90	> 90	> 90
Efficacy	72 lm/W @ 120V AC 70 lm/W @ 277V AC	68 lm/W @ 120V AC 65 lm/W @ 277V AC	65 lm/W @ 120V AC 63 lm/W @ 277V AC	69 lm/W @ 120V AC 65 lm/W @ 277V AC	72 lm/W @ 120V AC 71 lm/W @ 277V AC	72 lm/W @ 120V AC 70 lm/W @ 277V AC	75 lm/W @ 120V AC 72 lm/W @ 277V AC

*Lumens per watt based on light source.

**Non-stock mirrors subject to 90 day lead time, technical data is based on a calculation

***Custom mirrors available upon request, subject to a 50 piece minimum, 50% deposit and 90 day lead time following approved drawings

