



High Output Puck Light Install Instructions

(Part #'s: 69930-FFKK-X)

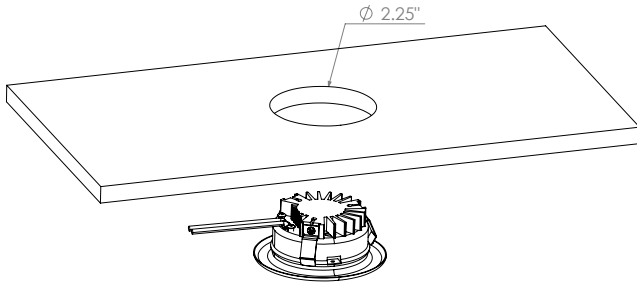
PARTS NEEDED:

				
Puck Light	Pigtail (purchased separately)	Jumper Cables (purchased separately)	Class 2 Power Supply (purchased separately)	Power Drill w/ 2.25" Hole Saw

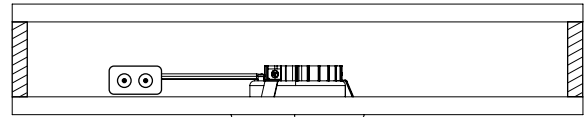
IMPORTANT SAFETY INSTRUCTIONS. READ CAREFULLY FOR YOUR PROTECTION AND SAVE ALL INSTRUCTIONS.

- Disconnect power before installing, adding or changing any component.
- To avoid a hazard to children, account for all parts and destroy all packing materials.
- Product is designed for installation into an enclosed cabinet, however, do not install in an enclosed space smaller than 12"W x 12"H x 12"D.
- Product should only be used with a class 2, UL approved power supply.
- Operating Voltage : 24V DC \pm 10%
- Current Per Light : 0.2A
- Operating Temperature : 0°C - 40°C
- Puck lights are not rated for installation in wet locations.

1. Determine your installation location and drill a 2.25" hole.

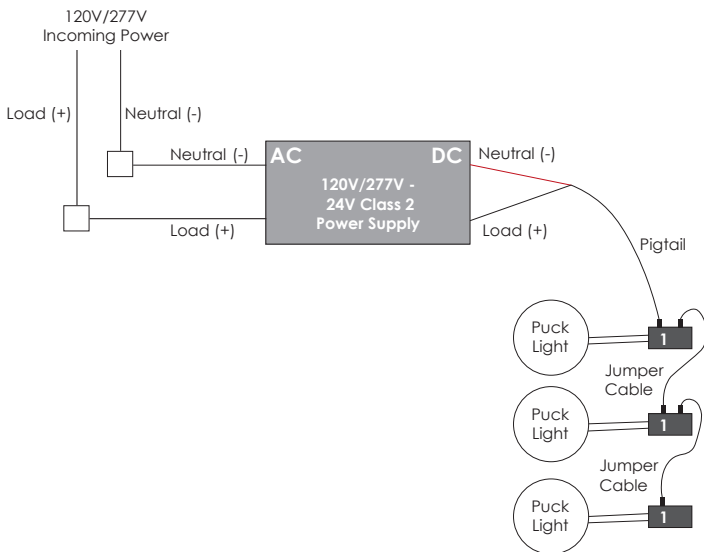


3. Push the light into the hole, making sure not to pinch or damage the wires.



Fixture in enclosed cabinet

2. Wire the lights based on the wiring diagram below. Note, up to 20 lights can be daisy chained using the supplied connector¹.



Please visit www.itc-us.com for warranty info

3030 Corporate Grove Dr • Hudsonville • MI • 49426

Phone: 616-396-1355 • www.itc-us.com • sales@itc-us.com • 710-00069 • Revision 1: 06/27/18