






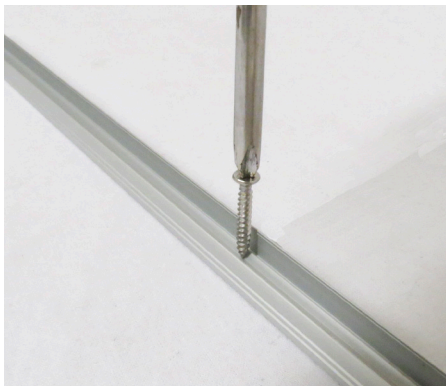


TOOLS NEEDED:					TOOLS NEEDED:	
						
VersiColor Flex Light	Mounting Track (optional)	Class 2 Power Supply (Required for 120V - 220V installation)	RGB Controller (options vary)	#6 Screws (Screw mount track installation only)	Power Drill w/ Phillips Bit (Screw mount track only)	Flat Head Screw Driver

1. Determine the installation location and install the track by either taping or screwing in place. If using the TPB version, the light can simply be taped into place. Install the light in the track by gently rocking it back and forth.



Screw Mount Track

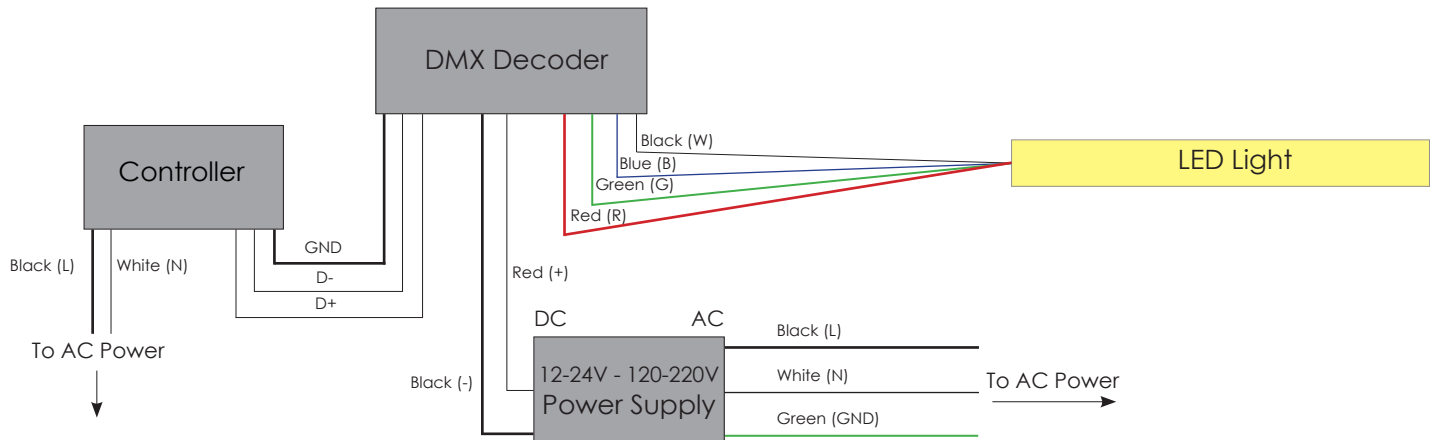


Adhesive Mount Track

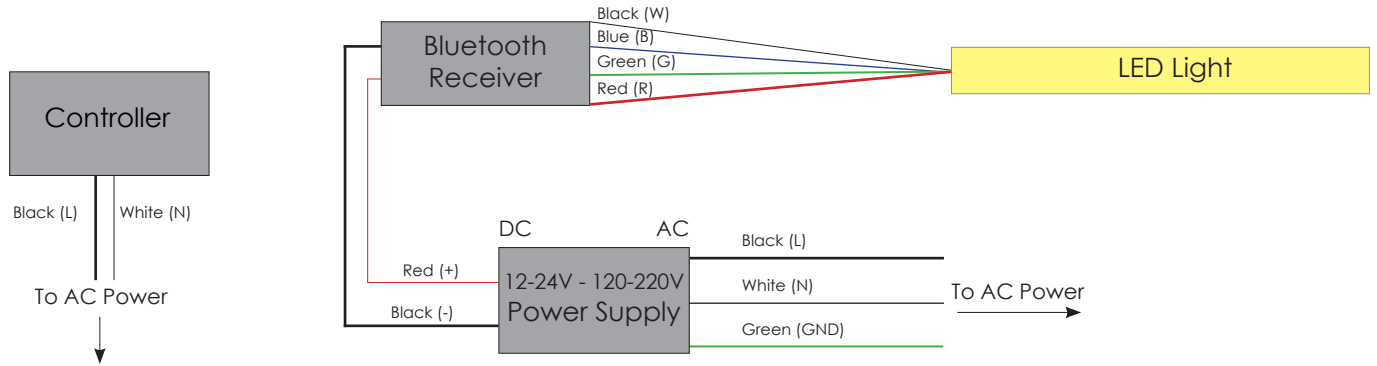


Installing the Light

2. Using the wiring diagrams below, wire the light to the RGB controller and class 2 power supply (if using).



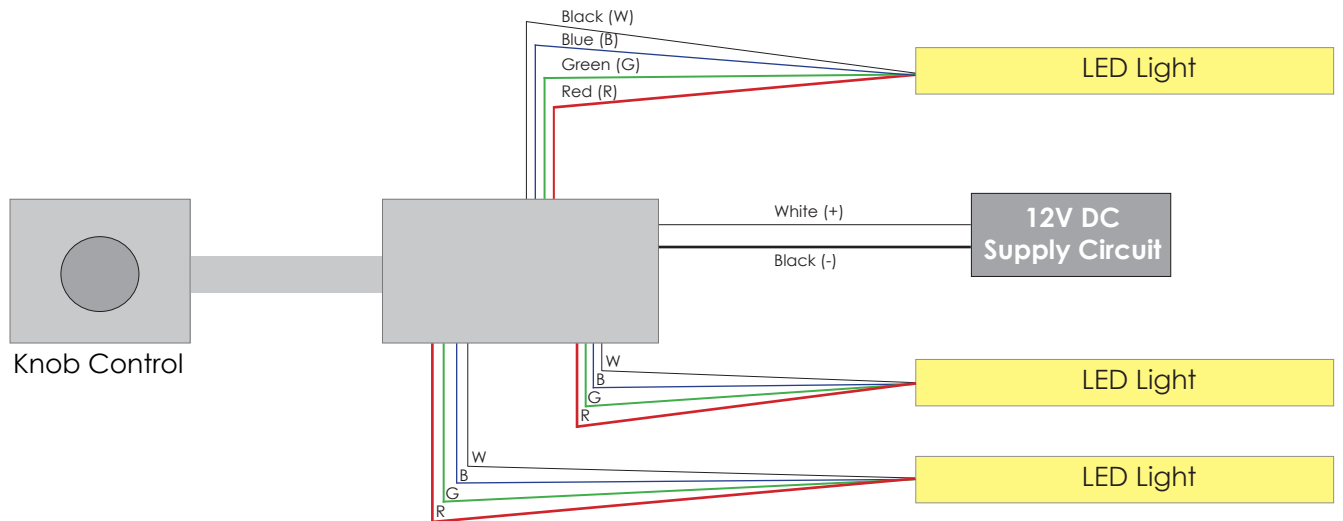
Controller with DMX Decoders



If using the wireless LED controller, part #230-00028 (shown below), you will need to turn the controller upside down when inserting the wires. This allows for the wires to be fully inserted and make a good connection.



Wireless Controllers



Knob Controller

Knob Controller Use Instructions:

1. Press once to turn on the light and turn the knob to select the desired color.
2. Press twice and turn the knob to select the dimming level.
3. Press three times turn the knob to select the mode, for example color fade from blue to purple.