

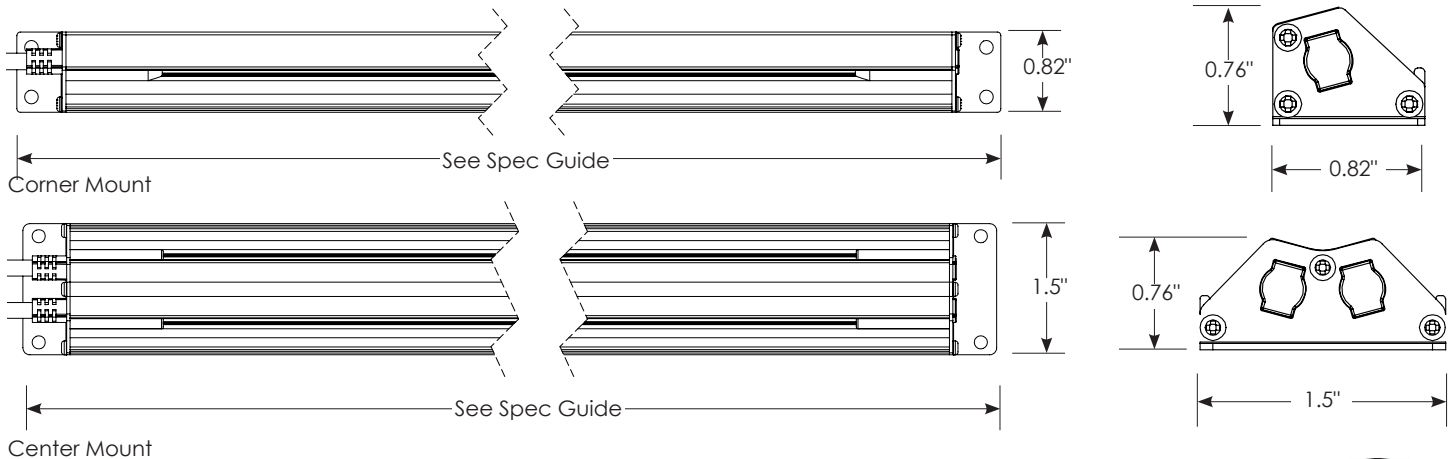


Part Number | 69056U.VV.WW.XX.YYZ
Please see specification guide for part configurations

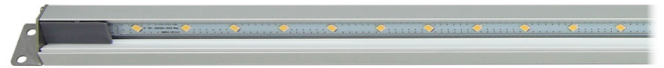
Product Details

- Unique aluminum extrusion provides even and consistent light distribution without causing glare
- A minimal product profile allows the fixture to be undetectable and mounts easily on even the smallest mullion
- Flat silicone lens eliminates banding that's often visible with a curved lens
- Saw tooth positioning increases the light spread in all directions eliminating shadows between fixtures

Product Dimensions



Corner Mount



Mounting Clip: 300-00310

Center Mount



Mounting Clip: 300-00311

Specification Guide: Vertical

Sample Part #: 690551.36.30.24-L02
 Base Part #
 Light Style (U)
 Case Length(VV)
 Color Temperature(WW)
 Voltage(XX)
 Wire Side(YY)
 Exterior Housing Color (Z)

Base Part #	Style (U)	Case Length (VV)	Color Temp. (WW)	Voltage (XX)	Wire Side (YY)	Exterior Housing Color (Z)	Light Length
69056	0 - Center 1 - Corner	48 60 72	30 - 3000K 40 - 4000K	24 - 24V	L0 - Left R0 - Right 00 - Center	1 - Black* 2 - Anodized Aluminum 3 - White*	46.5" 58.5" 70.5"
*Special order only							

Technical Specifications

	Part Number	Description	Recommended Case Size	Wattage	Voltage	Current	Lumens	CRI
Center Mount Style								
4000K	690560.48.40.24.00Z	48" Center Mullion	48"	12 W	24V	0.5 A	1222 LM	90+
	690560.60.40.24.00Z	60" Center Mullion	60"	14.9 W		0.62 A	1446 LM	
	690560.72.40.24.00Z	72" Center Mullion	72"	18.2 W		0.76 A	1728 LM	
3000K	690560.48.30.24.00Z	48" Center Mullion	48"	12 W	24V	0.5 A	1198 LM	90+
	690560.60.30.24.00Z	60" Center Mullion	60"	14.9 W		0.62 A	1456 LM	
	690560.72.30.24.00Z	72" Center Mullion	72"	18.2 W		0.76 A	1810 LM	

	Part Number	Description	Recommended Case Size	Wattage	Voltage	Current	Lumens	CRI
Corner Mount Style								
4000K	690561.48.40.24.YYZ	48" Corner Mullion	48"	6 W	24V	0.25 A	682 LM	90+
	690561.60.40.24.YYZ	60" Corner Mullion	60"	7.4 W		0.31 A	827 LM	
	690561.72.40.24.YYZ	72" Corner Mullion	72"	9.1 W		0.38 A	1112 LM	
3000K	690561.48.30.24.YYZ	48" Corner Mullion	48"	6 W	24V	0.25 A	696 LM	90+
	690561.60.30.24.YYZ	60" Corner Mullion	60"	7.4 W		0.31 A	850 LM	
	690561.72.30.24.YYZ	72" Corner Mullion	72"	9.1 W		0.38 A	1082 LM	

Note: All products above are listed on the DLC® QPL

*Wattage and currents shown above are for the light only, and do not include the power supply

**Testing results shown are averages from the delivered fixture and include the lens

Recommended Case Specifications

48" Compel Vertical Lights		
# of Doors	Recommended Lights	Recommended Power Supplies
1 Door	690561.48.XX.24.L02 690561.48.XX.24.R02	LPF-25-24
2 Doors	690561.48.XX.24.L02 690560.48.XX.24.002 690561.48.XX.24.R02	LPF-60-24
3 Doors	690561.48.XX.24.L02 690560.48.XX.24.002 690560.48.XX.24.002 690561.48.XX.24.R02	LPF-60-24
4 Doors	690561.48.XX.24.L02 690560.48.XX.24.002 690560.48.XX.24.002 690560.48.XX.24.002 690561.48.XX.24.R02	LPF-60-24
5 Doors	690561.48.XX.24.L02 690560.48.XX.24.002 690560.48.XX.24.002 690560.48.XX.24.002 690560.48.XX.24.002 690561.48.XX.24.R02	LPF-90-24
6 Doors	690561.48.XX.24.L02 690560.48.XX.24.002 690560.48.XX.24.002 690560.48.XX.24.002 690560.48.XX.24.002 690560.48.XX.24.002 690561.48.XX.24.R02	LPF-90-24

60" Compel Vertical Lights		
# of Doors	Recommended Lights	Recommended Power Supplies
1 Door	690561.60.XX.24.L02 690561.60.XX.24.R02	LPF-25-24
2 Doors	690561.60.XX.24.L02 690560.60.XX.24.002 690561.60.XX.24.R02	LPF-60-24
3 Doors	690561.60.XX.24.L02 690560.60.XX.24.002 690560.60.XX.24.002 690561.60.XX.24.R02	LPF-60-24
4 Doors	690561.60.XX.24.L02 690560.60.XX.24.002 690560.60.XX.24.002 690560.60.XX.24.002 690561.60.XX.24.R02	LPF-90-24
5 Doors	690561.60.XX.24.L02 690560.60.XX.24.002 690560.60.XX.24.002 690560.60.XX.24.002 690560.60.XX.24.002 690561.60.XX.24.R02	LPF-90-24
6 Doors	690561.60.XX.24.L02 690560.60.XX.24.002 690560.60.XX.24.002	LPF-60-24
	690560.60.XX.24.002 690560.60.XX.24.002 690560.60.XX.24.002 690561.60.XX.24.R02	LPF-60-24

72" Compel Vertical Lights		
# of Doors	Recommended Lights	Recommended Power Supplies
1 Door	690561.72.XX.24.L02 690561.72.XX.24.R02	LPF-25-24
2 Doors	690561.72.XX.24.L02 690560.72.XX.24.002 690561.72.XX.24.R02	LPF-60-24
3 Doors	690561.72.XX.24.L02 690560.72.XX.24.002 690560.72.XX.24.002 690561.72.XX.24.R02	LPF-90-24
4 Doors	690561.72.XX.24.L02 690560.72.XX.24.002 690560.72.XX.24.002 690561.72.XX.24.R02	LPF-90-24
5 Doors	690561.72.XX.24.L02 690560.72.XX.24.002 690560.72.XX.24.002	LPF-60-24
	690560.72.XX.24.002 690560.72.XX.24.002 690561.72.XX.24.R02	LPF-60-24
6 Doors	690561.72.XX.24.L02 690560.72.XX.24.002 690560.72.XX.24.002	LPF-60-24
	690560.72.XX.24.002 690560.72.XX.24.002 690560.72.XX.24.002 690561.72.XX.24.R02	LPF-90-24

Power Supply Specification

Part #	LPF-25-24	LPF-60-24	LPF-90-24
Housing	Plastic		
Wattage	25W	60W	90W
AC Input	90-277V AC		
DC Output	24V DC, 1.05 Amp	24V DC, 2.5 Amp	24V DC, 3.75 Amp
Frequency	47-63Hz		
Input Current	0.4 Amps max @ 115V AC	0.8 Amps max @ 115V AC	0.95 Amps max @ 115V AC
Power Factor	.97 @ 115V AC		
Operating Temp	-35°C - 70°C	-40°C - 80°C	-40°C - 70°C
Protection	Over-voltage, Over-current & Short circuit protection, Auto-recovery.		

