

Vega - Max Lumen Linear LED Light

Long Linear Array with Fixed Mount End Caps

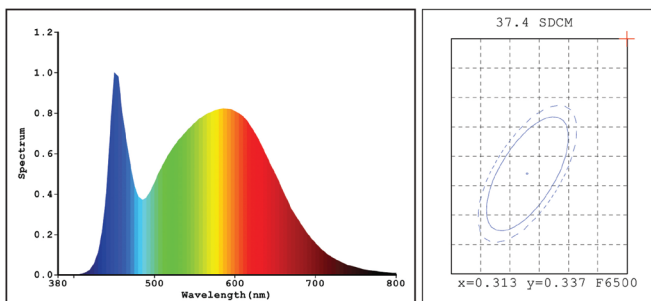
Product Details

Housing	Aluminum Extrusion
Lens	Clear Polycarbonate
Wattage	12' : 5.4W
Voltage	24 V
Current	12' : 0.23 A
Lumens	430 lm/ft
Kelvin	3500K & 4100K (2900K & 6500K available as special order)
Beam Angle	120°
CRI	≥80
Efficacy	67 lm/w

Max Daisy Chain = 20 Feet*
(Also limited by max wattage of power supply or 5 amps total).

Spectrophotometer Test Report

Test results for the 690240.24.41.24



Color Parameters

Chromaticity Coordinate: X=0.3640 Y=0.3687/u'=0.2174
v'=0.4956 Tc=4427K

Photo Parameters

Flux: 788.72 lm Efficacy: 67.16 lm/w

Electrical Parameters

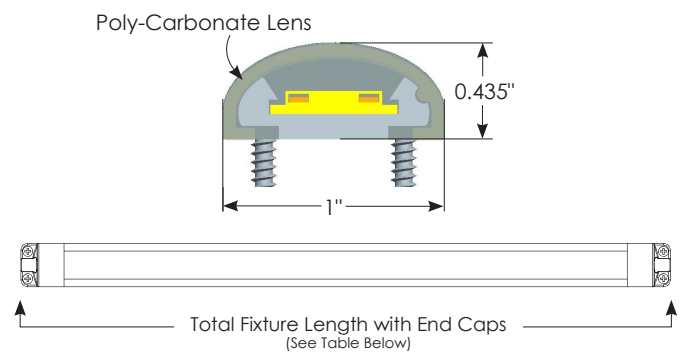
Luminaire: U=24.00V I=0.49A P=11.76W PF=1.000

Part Number

690210.LL.XX.24
LL = Length
XX = Color Temp.



Product Dimensions



LED Strip Sizes	Actual Length with End Caps	
	Standard End Cap (Each End Cap Adds 1")	Magnetic End Cap Part# 690170 (Each End Cap Adds 1.65")
12"	14.9"	16.2"
18"	20.9"	22.2"
24"	26.9"	28.2"
30"	32.9"	34.2"
36"	38.9"	40.2"
42"	44.9"	46.2"
48"	50.9"	52.2"

Mounting Options

See End Cap Literature for Full End Cap Details.

Standard Screw Down
End Caps



DIMS: 1" L x 1" W x 0.43" H

Optional Magnetic
End Caps

Part Number: 690170



DIMS: 1.65" L x 1.12" W x 0.6" H

FC | CE | ROHS | cUL US LISTED | IP64

Power Supply options - See Power Supply Literature