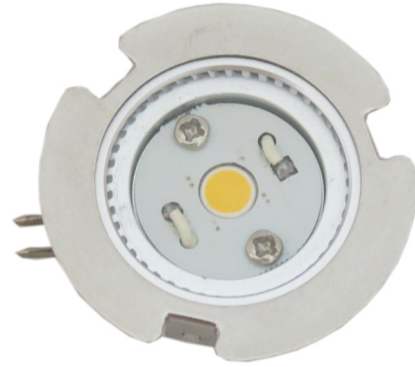


MR16 SIDE PIN LED

Part Numbers | MR16SPH35-4W30V : 3500K FLOOD

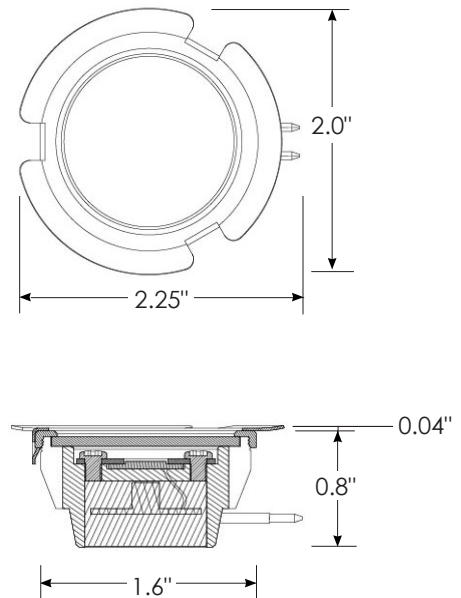
Product Details

Housing - heatsink	Aluminum - chrome plated
Wattage	3.8W
Voltage w/out LED Power Supply	12-30V DC
Current	0.28 Amp at 13.6V
LED Color	3500K ±200K binning tolerance
CRI	>80
Luminous Density	250 Lumens
Base Type	2 Pin GX5.3
Beam Angle	Flood: 120°
Efficacy	73.6 lm/w @ 12V DC



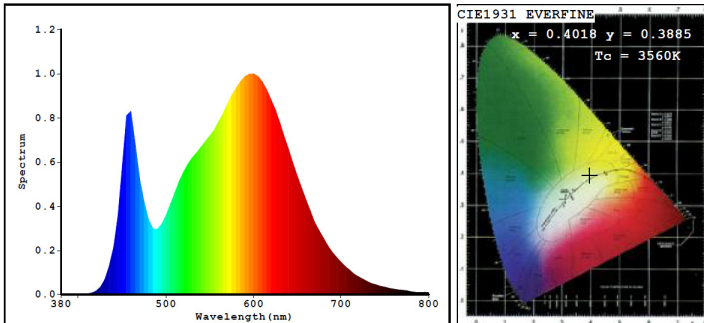
FLOOD

Product Dimensions



Spectrophotometer Test Report

Test results for the MR16SPH35-4W30



Color Parameters

Chromaticity Coordinate: $X=0.4018$ $Y=0.3885/u'=0.4018$
 $v'=0.3885$ $T_c=3560K$

Photo Parameters

Flux: 384.45 lm Efficacy: 71.17 lm/w

Electrical Parameters

Luminaire: $U=13.60V$ $I=0.3972A$ $P=5.402W$ $PF=1.000$

