

Illuminated Safety Handle

Features

- Provides an illuminated target to aid in wayfinding and reduce the risk of injury and falls.
- Various options available for end caps, acrylic & lengths. Contact ITC for more information on custom options.
- Available lighted with white LED.
- ADA compliant, up to 24" in standard length. Extended lengths available with inclusion of T-Joint (part# 86442T).
- Polished or brushed stainless steel end caps available.
- Ideal for combined bathroom grab bars and night light applications.
- 3 year warranty.
- Power saving LED technology.
- Covered under patent numbers 6592240 & 7374319.

Product Details

Wattage	Single: 0.24W
Voltage without power supply	10-28VDC
Current	Single: 0.02A @12V DC
LED Color	Cool White
LED Color Temperature	6000K
Tube Diameter	1.25"

Applications



Safety Grab Handle



Night Lighting

Part Number

86436-BS/CL-XX

XX = Length 18" or 24"

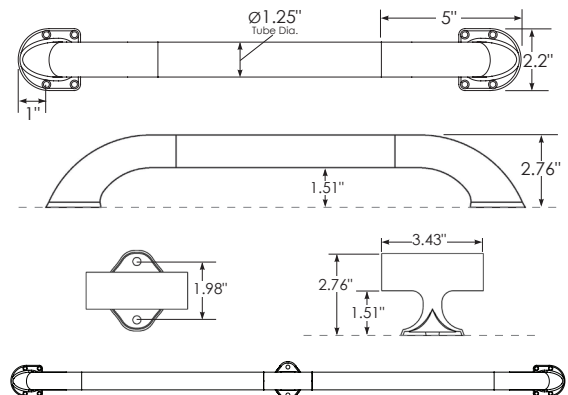
* Custom Sizes Available



IllumaGrip® T- Joint
86442T-BS

Enables Illumagrip grab handle to remain ADA compliant at extended lengths.

Product Dimensions



*Create extended ADA compliant runs with inclusion of T-joint support.

