

# Step Pathway Light

## Features

- 9 high quality (2900K ±300) warm white LEDs.
- Powder coated black stainless steel bezel.
- Fits standard 2.75" hole.
- 50,000 hour estimated life.
- Power Saving LED technology.
- Pillow optic lens & hood designed to prevent glare.
- Part number 69860XX-3KH has hidden fasteners.

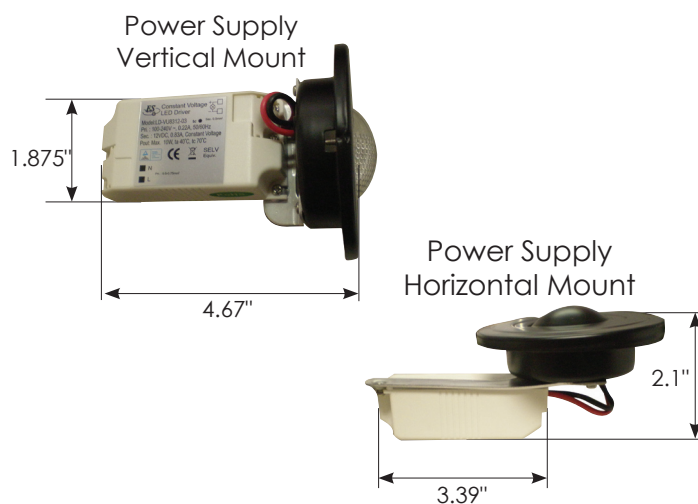
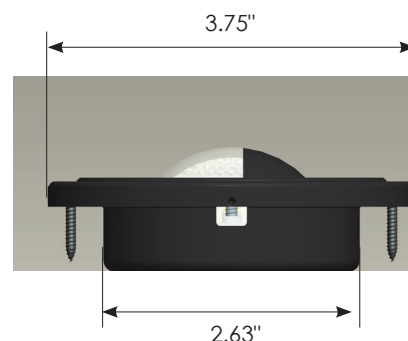
## Product Details

Housing/Bezel	SS 304 with Black Powdercoat
Wattage	0.5W
Voltage	100-240V AC/DC
LED Color	Warm White (2900K ±300)
Hole Cutout	2.75" Hole Saw
Wire	18 AWG
Beam Angle	120°
Efficacy	11.5 $\frac{\text{lm}}{\text{W}}$ DC Version @120V AC

## Applications



**Part Numbers** | 69860B-3K  
69860JB-3KH



\* Additional bezel finishes available through special order.

