

Tavi LED Night Light

Features

- Light directed downward, away from eye glare.
- Glowing style window.
- Clear acrylic Lens for maximum light output .
- Stylish stainless steel bezel.
- Long life - 50,000 hours.
- Screw mount from front, or nut mount from back.

Product Details

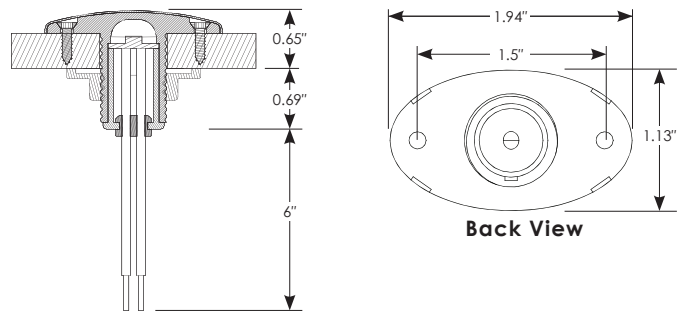
Bezel	Stainless Steel
Lens	PMMA Clear
Recessed Depth	0.69"
Cutout Diam	Standard 3/4" Diam. Hole
Wattage	0.12W
Voltage	10-28V DC
LED Color	Amber or Blue

Part Number

69307SS-AM Amber LED
69307SS-BL Blue LED

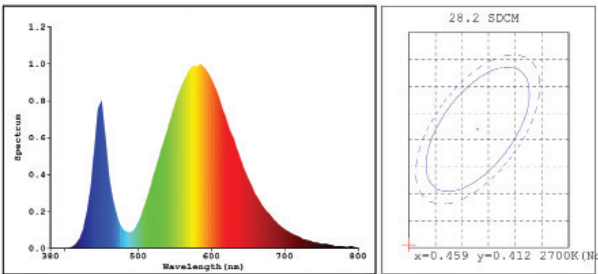


Product Dimensions



Spectrophotometer Test Reports

Test results for the 69307SS-BL



Color Parameters

Chromaticity Coordinate: X=0.4064 Y=0.3905/u'=0.2365

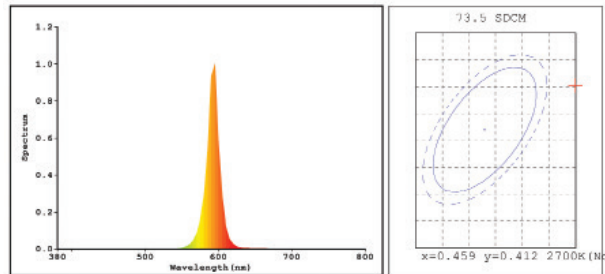
Photo Parameters

Flux: 20.952 lm Efficacy: 81.59 lm/w

Electrical Parameters

Luminaire: U=24.00V I=0.02140A P=.2568W PF=1.000

Test results for the 69307SS-AM



Color Parameters

Chromaticity Coordinate: X=0.5791 Y=0.4202/u'=0.3364

Photo Parameters

Flux: 3.0380 lm Efficacy: 12.41 lm/w

Electrical Parameters

Luminaire: U=24.00V I=0.02040A P=.2448W PF=1.000